



## DLC130i/150i All In One CO2 Laser

DLCi130/150 Laser coding machine, using a new intelligent vector control algorithm, marking speed greatly improved, all in one compact structure, whether the conveyor line or punch packaging machine can be easily installed. Permanent and high contrast marking to ensure product can be tracking, anti-counterfeiting and anti-channelization.

### Features

- ◆ Patented Technologies
- ◆ Fast frequency, Lower power consumption
- ◆ Up to 1500 characters/second
- ◆ New intelligent control algorithm
- ◆ Unique design for better integration

- ◆ Anti-electromagnetic interference design
- ◆ 24 hours of continuous operation, MTBF more than 50,000 hours
- ◆ Print on film, plastic, glass, leather and other materials.
- ◆ Non-consumable, permanent identification

- ◆ One-button startup reduces daily misoperation
- ◆ Automatically jump to the running mode after startup
- ◆ Friendly user interface, more convenient operation



### Todaytec, LLC.

6701-K Northpark Blvd.

Charlotte, NC 28216

704.790.2440

[www.Todaytecllc.com](http://www.Todaytecllc.com)

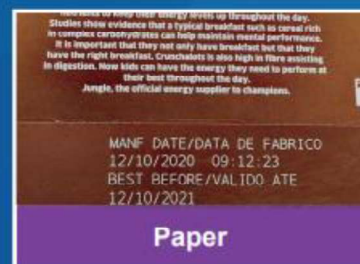
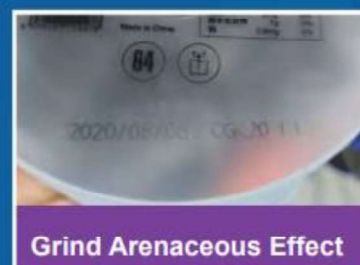
Email: [CustomerService@Todaytecllc.com](mailto:CustomerService@Todaytecllc.com)

## Specifications:

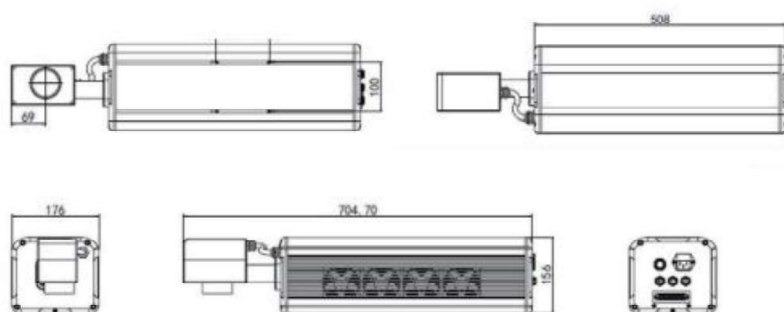
Model	DLC130i	DLC150i
Laser Type	CO2 Laser,Laser wave=10.6um,MTBF 50,000 hours	
Laser Power	30W	50W
Features		
CPS	1200*	1500*
Speed	200M/Min*	300M/Min*
Lines	Unlimited Within Marking Area	
Height	0.8mm~Max Marking Area	
Fonts	26 Fonts, multiple languages, Custom Fonts	
Bar Codes	Code 128, Code 39, Data-Matrix Code, QR Code	
Logo Graphic	BMP/DXF/HPGL/JPEG	
Elements	Point, Linear arc, rectage, polygon, ellipse, circle	
Variable	Serial number, text, date, time, counter, shift code	
Marking Area	50X50mm,70X70mm,110X110mm,140X140 mm,175X175mm,210X210mm	
Focal Distance	63mm,100mm,163mm, 210mm, 254mm, 330mm	
Functions	10.1 inch Color Touch Screen, QWEERTY or AZERTY Virtual Keyboard, Quick Icon Wizard Operation, Online Help, Multi-Language, Ethernet Remote PC Operation	
Material	Anodised Aluminium	
Input/Output		
Sensor	NPN/PNP/24V Sensor or Triger Signal	
Encoder	Encoder or Synchronizing Signal	
Signal Input	Start, Stop, interlock Signal	
Signal Output	Operation Status Indication, Cooling Device Control, Machine Remote Control	
Communication	Ethernet(10/100 MBit), USB Post	
Facilities Condition		
Power Supply	220V AC,50-60Hz,750W	
Cooling	Air Cooling	
Op Environment	5-40C,10%-90%RH, No Condensation	
IP Rating	IP55,IP65 Optional	
Optional	Network and Remote Control Software (TCP/IP), USB Backup Storage Kit, Bracket, Smoke Purifier	

\* Print characters per second, production line speed depends on packaging material and print content

## Samples:



## Dimension:



## Installation:





## DLU500i UV Laser

DLU500i Laser coding machine using a new intelligent vector control algorithm, marking speed greatly improved. The unique laser control technology can easily mark the best printing effect on the film material. Compact size, low maintenance, no consumable, to provide permanent high quality coding. Permanent and high contrast marking ensures product can be tracking, anti-counterfeiting and anti-channelization.

### High speed High quality

- ◆ Up to 700 characters per second
- ◆ New intelligent control algorithm
- ◆ Enhanced anti-electromagnetic interference design ensures stable operation in harsh environments.

### Easy to install

- ◆ Compact with unique design for better integration
- ◆ Compact size can adapt to narrow installation.

### Permanent identification

- ◆ Almost unlimited fonts, graphics and bar code
- ◆ Permanent identification ensures product can be tracking, anti-counterfeiting and anti-channelization.

### Low maintenance Non consumable

- ◆ Innovative interact, easy to learn and understand
- ◆ One-button startup
- ◆ MTBF more than 20,000 hours
- ◆ Non-consumable, cost saving.



### **Todaytec, LLC.**

6701-K Northpark Blvd.

Charlotte, NC 28216

704.790.2440

[www.Todaytecllc.com](http://www.Todaytecllc.com)

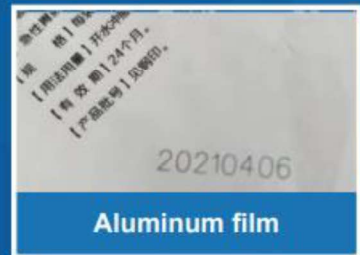
Email: [CustomerService@Todaytecllc.com](mailto:CustomerService@Todaytecllc.com)

## Specifications:

Applications		HDPE, Such as food, pipes, chemical products etc.
Scan Mode		X,Y axial simultaneous scan
Marking Mode	Flying Mark	9000mm/s(Depend on Materials)
	Static Mark	Multiple products can be mark simultaneously
Marking Laser	Laser Type	UV Laser
	Wavelength	355nm
	Output	5W
Guide Laser		Infrared Beam Positioning
Marking Area		70*70 110*110 175*175 300*300mm Optional
Scan Speed		≥12000mm/S
Software Controller		WinCE Touch Screen
Character Type	Fonts	Single/Double Font
	Bar Codes	Code39/Code25/EAN-13/Code128
	2D Codes	QR Code & DM
	Graphic	PLT Input/Output
Marking Conditions	Marking Status	Product quantity etc.
	Character Size	0.1mm-110mm
Input/Output		Sensor/Encoder
Connection		SD card/USB2.0/Communication interface
Laser Installaion Direction		No Limited
Cooling		Water Cooling
Power & Temp	Supply Voltage	AC220V 50HZ
	Power	1200W
	Storage Temperature	-10℃-45℃ (No freeze)
	Working Temperature	
Environment Resistance	Storage Humidity	10%-85% (No condensation)
	Working Humidity	
Pollution Degree		No chemicals are produced
Dimension	Weight	120KG
	Specification	780mm*660mm*1480mm

\* Print characters per second, production line speed depends on packaging material and print content

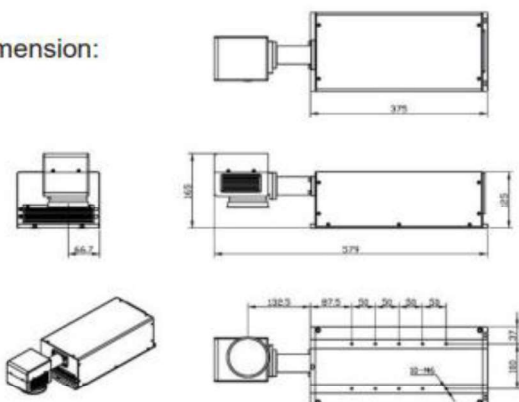
## Samples:



## Installation:



## Dimension:



## DLF-200/300 Fiber Laser



DLF-200/300 Fiber Laser is a compact size, lower maintenance, no consumables coding system and it provides permanent & high quality codings. The laser adopts intelligent vector control algorithm, marking speed is greatly improved. It can be commonly used in food, cosmetics and other industries to print high contrast and permanent message & logo on hard plastic, metal and other materials. The identification will be cleaner than CO2 laser marking on the non-metal applications. It is very suitable for the mark on films of flexible packaging.

### High Speed, High Quality, High Reliability

- ◆ Faster marking speed, up to 1000 CPS
- ◆ New intelligent control algorithm, high quality scratching technology
- ◆ Enhanced anti-EMC design, can ensure stable operation in harsh environment
- ◆ 24 hours working

### Permanent Identification

- ◆ Almost unlimited font, graphics and bar code applications
- ◆ Permanent identification, reliable anti-counterfeiting string selection

### Easy Integration

- ◆ Compact independent design, can be better integrated into the existing production line
- ◆ Small size, can adapt to a variety of installation space

### User Friendly Low Maintenance No Consumables

- ◆ Innovative interactive way is easy to learn & understand, more convenient and fast operation
- ◆ High efficiency cooling design to achieve low maintenance and long life.
- ◆ MTBF up to 100,000 hours
- ◆ No consumable, saving the use cost



### Todaytec, LLC.

6701-K Northpark Blvd.

Charlotte, NC 28216

704.790.2440

[www.Todaytecllc.com](http://www.Todaytecllc.com)

Email: [CustomerService@Todaytecllc.com](mailto:CustomerService@Todaytecllc.com)

## Specification:

Model	DLF-200	DLF-300
Laser Type	Adjustable pulsed fiber laser, $\lambda=1064\text{nm}$ , MTBF 100,000 hours	
Laser Power	20W	30W
Characteristic		
CPS	700	1000
Production Speed	120 M/Min	200 M/Min
Lines	No Limited within marking area	
Character Height	0.8mm ~ No Limited within marking area	
Font	26 Fonts, Multi - language support, support user - defined font	
Machine Readable Code	Code128, Code 39, Data-Matrix Code, QR Code	
Logo/Symbol	BMP/DXF/HPGL/JPEG	
Circular Elements	Point, Linear arc, Rectangle, Polygon, Ellipse, Circle	
Variable Data	Serial Number, Text, Date, Time, Counter, Shift Code	
Marking Area	50x50mm, 70x70mm, 110x110mm, 140x140mm, 175x175mm, 210x210mm	
Focal Distance	63mm, 100mm, 163mm, 210mm, 254mm, 330mm,	
UI	10.1 inch Color Touch Screen, QWERTY or AZERTY Virtual Keyboard, Quick Icon Wizard Operations, Online Help, multi-Language. Support Ethernet remote PC operation and networking.	
Material	Stainless Steel + Anodized Alumina Construction	
Input/Output		
Sensor	NPN/PNP/24V-Sensor	
Speed Detection	Encoder or synchronization signal	
Signal Input	Start, stop, interlock	
Signal Output	Operating state indication, cooling device control, machine remote control	
Communication	RS-232, Ethernet (10/100Mbit), USB	
Facilities Condition		
Power Supply	90-264V AC, 47-63Hz, 800W	
Cooling System	air cooling	
Operating Environment	-6-45°C, 10%-90%RH, No condensation	
IP Rating	IP55, IP65 Optional	
Options	Network and remote control software (TCP/IP), USB Backup Storage Kit, Support Kit, Smoke Absorption Purifier	

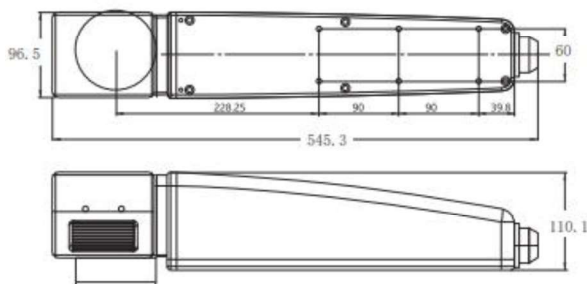
## Marking Samples:



## Application:



Dimensions of Print head (mm)



Dimensions of Controller (mm)

